



HV Heart Retractor

Minimally invasive heart surgery
Maximum Results

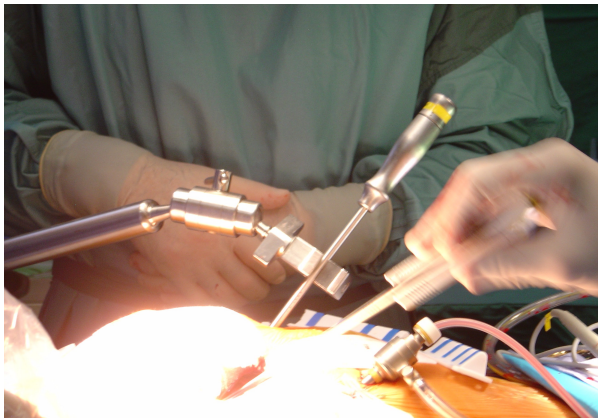
www.USBMedical.com

patent pending

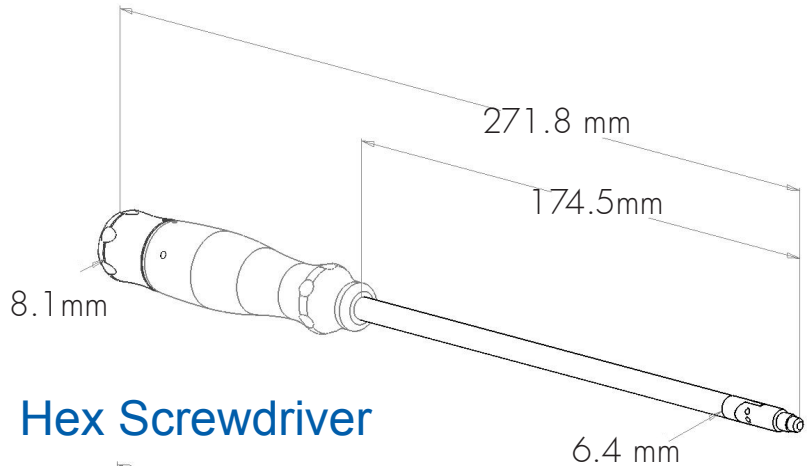
The HV Heart Retractor set includes:

- 1- Handle
- 1- 35x40 mm Blade
- 1- 35x50 mm Blade
- 1- 45x50 mm Blade
- 1- 45-60 mm Blade
- 1- Hinged Blade

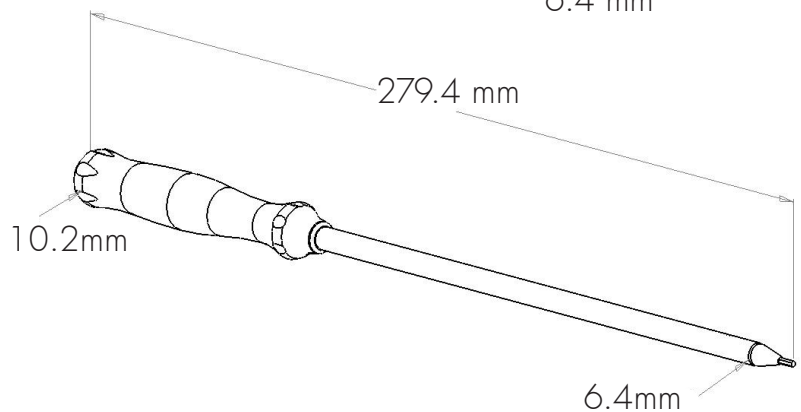
- 1- Hex Screwdriver
- 1- Sterilization Tray



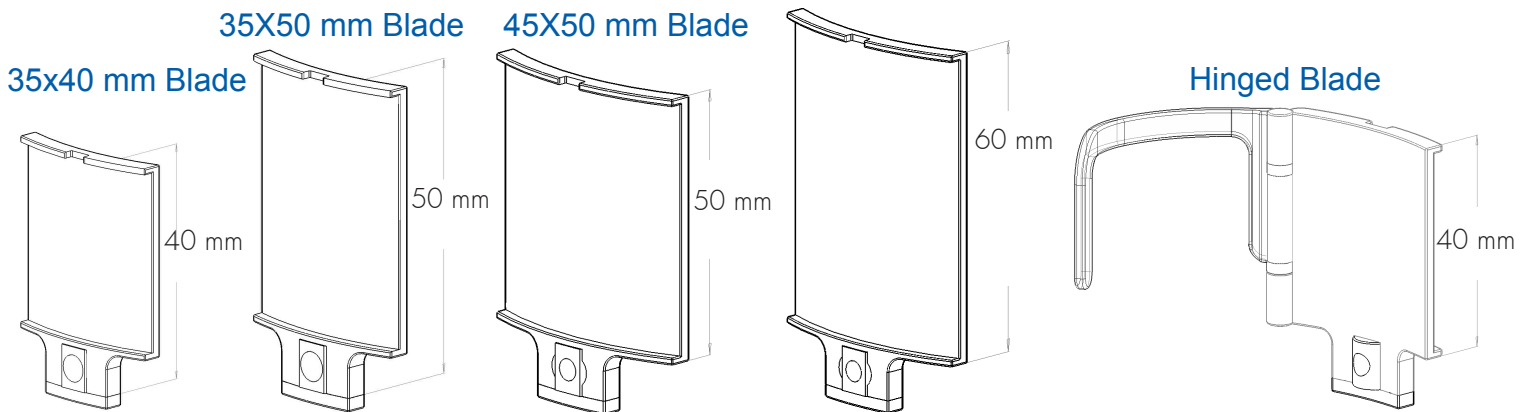
Handle



Hex Screwdriver



45X60 mm Blade





HV Heart Retractor

Minimally invasive heart surgery

Maximum Results

www.USBMedical.com

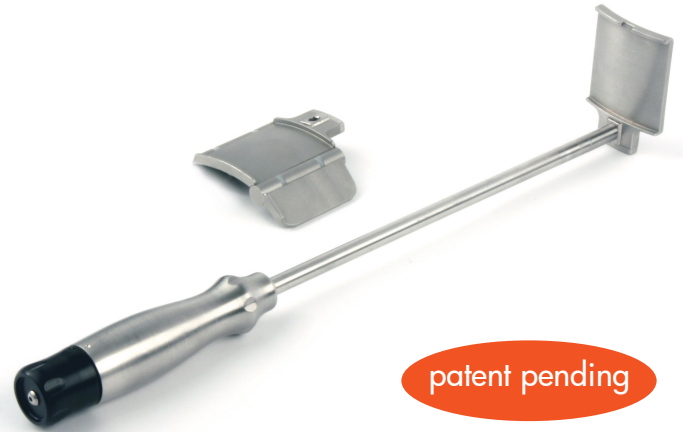
Introducing:

The HV Heart Retractor

Surpasses all others!

Here's why...

- **Innovative design** allows for precise positioning for optimal viewing and access of the heart. Allows the surgeon more flexibility in retractor placement, and an increased work area.
- **Self-adjusting pivot blade** eliminates stress on the heart by distributing pressure evenly. The specific amount of load on a given area is now greatly reduced, protecting the heart tissue from damage during retraction.
- **Hinged Blade** provides even greater exposure by retracting twice as much heart tissue.
- Blade easily adjusts through a **30° range of motion** for superb positioning and results. No need to manipulate the patient.



- **Self-wiping hinge** seals and protects internal mechanism from bio-hazards.
- Manufactured from the highest quality **surgical stainless steel** for strength and durability.
- **Ergonomic**, easy-to-grip, counter-balanced handle for ease of use.
- Co-Invented, used and endorsed by the world-renowned **Dr. Hugo Vanermen**.

Minimally invasive heart surgery with maximum results starts with the HV Heart Retractor.

